

PF4

Face Conveyor Line Pan

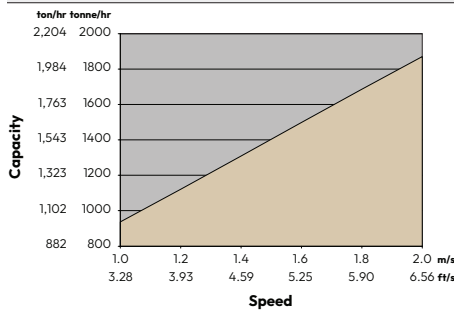


TECHNICAL DATA

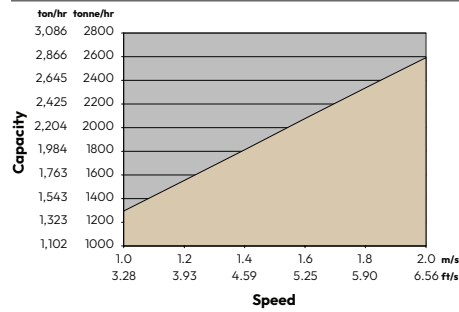
	Units	
Line Pan Width		
PF4/832	832 mm	52.44 in
PF4/932	932 mm	36.69 in
PF4/1032	1032 mm	40.62 in
PF4/1132	1132 mm	44.56 in
PF4/1332	1332 mm	52.44 in
Flight Bar Width		
PF4/832	688 mm	46.77 in
PF4/932	788 mm	31.02 in
PF4/1032	888 mm	34.96 in
PF4/1132	988 mm	38.89 in
PF4/1332	1188 mm	46.77 in
Deck Plate Thickness	40 mm	1.57 in
Profile Height	284 mm	11.18 in
Bottom Plate Thickness	25 mm	0.98 in
Dogbone Breaking Strength		
PF4/832	3000 kN	337.21-404.65 tonf
PF4/932	3000 kN	337.21 tonf
PF4/1032	3000-3600 kN	337.21-404.65 tonf
PF4/1132	3000-3600 kN	337.21-404.65 tonf
PF4/1332	3000-3600 kN	337.21-404.65 tonf

	Units	
Dogbone Housing FoS	1.5 times	
Shear Strength	4000 kN	449.61 tonf
Vertical Articulation	up to $\pm 6^\circ$	
Horizontal Articulation	0.8°-1.2°	
Chain Strands		
PF4/832	AKB F130×108 DKB 34×126	
PF4/932	AKB F130×108 DKB 34×126	
PF4/1032	AKB F130×108 DKB 34×126 DKB 42×146	
PF4/1132	DKB 34×126 DKB 42×146 DKB 48×160/144	
PF4/1332	DKB 42×146 DKB 48×160/144	
Conveying Capacity		
PF4/832	0.26 m ²	2.80 ft ²
PF4/932	0.36 m ²	3.87 ft ²
PF4/1032	0.46 m ²	4.95 ft ²
PF4/1132	0.58 m ²	6.24 ft ²
PF4/1332	0.85 m ²	9.15 ft ²

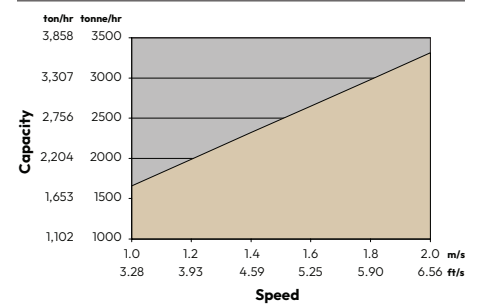
PF4/832



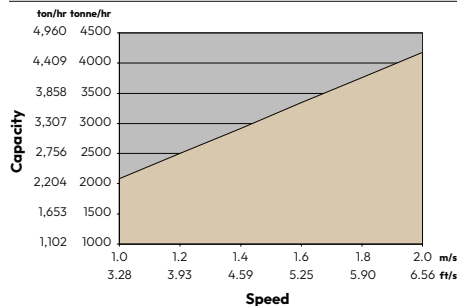
PF4/932



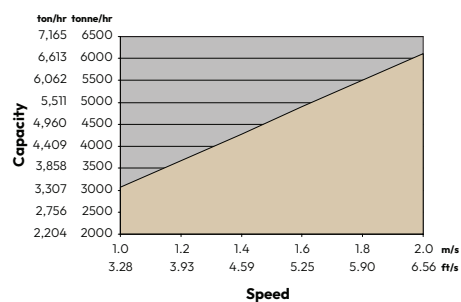
PF4/1032



PF4/1132



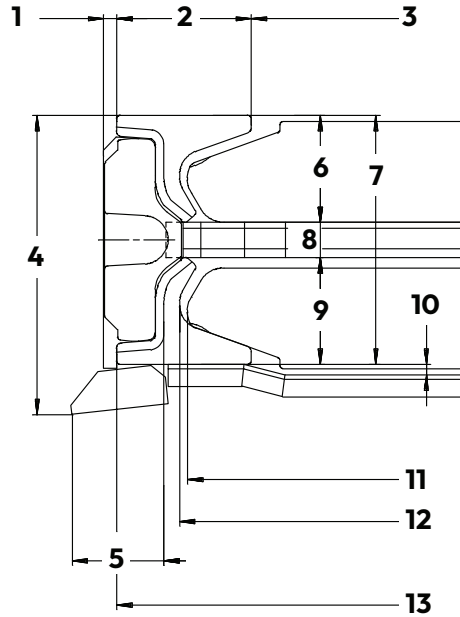
PF4/1332



PF4 Face Conveyor Line Pan

Dimensions

All dimensions are approximate.



	PF4/832		PF4/932		PF4/1032		PF4/1132		PF4/1332	
1	15 mm	0.59 in	15 mm	0.59 in	15 mm	0.59 in	15 mm	0.59 in	15 mm	0.59 in
2	154 mm	6.06 in	154 mm	6.06 in	154 mm	6.06 in	154 mm	6.06 in	154 mm	6.06 in
3	524 mm	20.62 in	624 mm	24.56 in	724 mm	28.50 in	824 mm	32.44 in	1024 mm	40.31 in
4	341 mm	13.42 in	341 mm	13.42 in	341 mm	13.42 in	341 mm	13.42 in	341 mm	13.42 in
5	105 mm	4.13 in	105 mm	4.13 in	105 mm	4.13 in	105 mm	4.13 in	105 mm	4.13 in
6	122 mm	4.80 in	122 mm	4.80 in	122 mm	4.80 in	122 mm	4.80 in	122 mm	4.80 in
7	284 mm	11.18 in	284 mm	11.18 in	284 mm	11.18 in	284 mm	11.18 in	284 mm	11.18 in
8	40 mm	1.57 in	40 mm	1.57 in	40 mm	1.57 in	40 mm	1.57 in	40 mm	1.57 in
9	122 mm	4.80 in	122 mm	4.80 in	122 mm	4.80 in	122 mm	4.80 in	122 mm	4.80 in
10	12 mm	0.47 in	12 mm	0.47 in	12 mm	0.47 in	12 mm	0.47 in	12 mm	0.47 in
11	676 mm	26.61 in	776 mm	30.55 in	876 mm	34.48 in	976 mm	38.42 in	1176 mm	46.29 in
12	688 mm	27.08 in	788 mm	31.02 in	888 mm	34.96 in	988 mm	38.89 in	1188 mm	46.77 in
13	832 mm	32.75 in	932 mm	36.69 in	1032 mm	40.62 in	1132 mm	44.56 in	1332 mm	52.44 in

For more complete information on HBT products and services, visit us on the web at hbt-group.com.

© 2023 HBT GmbH. All rights reserved. Technical changes reserved. All information and illustrations are non-binding.

