

# PF5

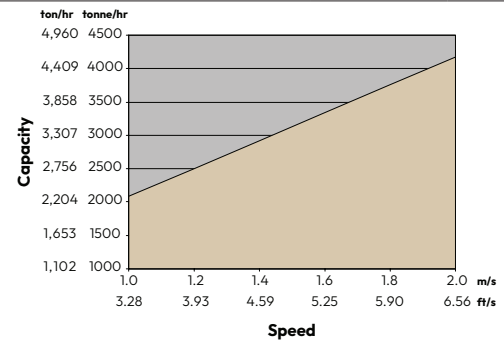
## Face Conveyor Line Pan



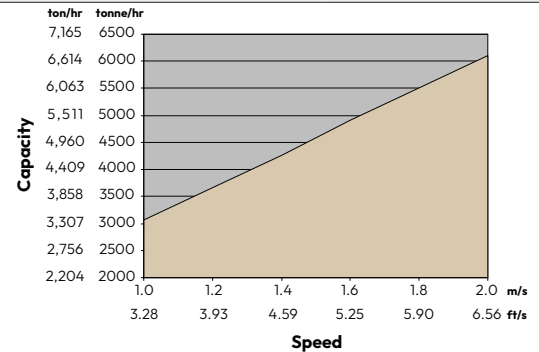
### TECHNICAL DATA

	Units	
<b>Line Pan Width</b>		
PF5/1142	1142 mm	44.96 in
PF5/1342	1342 mm	52.83 in
<b>Flight Bar Width</b>		
PF5/1142	988 mm	38.89 in
PF5/1342	1188 mm	46.77 in
<b>Deck Plate Thickness</b>	50 mm	1.96 in
<b>Profile Height</b>	318 mm	12.52 in
<b>Bottom Plate Thickness</b>	30 mm	1.18 in
<b>Dogbone Breaking Strength</b>	4500 kN	505.82 tonf
<b>Dogbone Housing FoS</b>	1.5 times	
<b>Shear Strength</b>	> 6000 kN	> 674.42 tonf
<b>Vertical Articulation</b>	up to $\pm 6^\circ$	
<b>Horizontal Articulation</b>	0.8°-1.2°	
<b>Chain Strands</b>	DKB 42×146 DKB 48×160/144	
<b>Conveying Capacity</b>		
PF5/1142	0.58 m <sup>2</sup>	6.24 ft <sup>2</sup>
PF5/1342	0.85 m <sup>2</sup>	9.15 ft <sup>2</sup>

#### PF5/1142



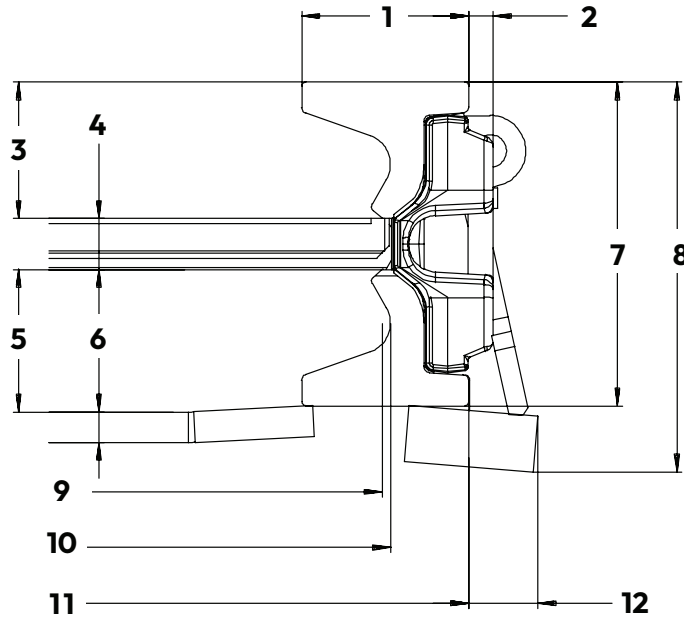
#### PF5/1342



# PF5 Face Conveyor Line Pan

## Dimensions

All dimensions are approximate.



	PF5/1142		PF5/1342	
<b>1</b>	164 mm	6.45 in	164 mm	6.45 in
<b>2</b>	24 mm	0.94 in	24 mm	0.94 in
<b>3</b>	134 mm	5.27 in	134 mm	5.27 in
<b>4</b>	50 mm	1.96 in	50 mm	1.96 in
<b>5</b>	140 mm	5.51 in	140 mm	5.51 in
<b>6</b>	30 mm	1.18 in	30 mm	1.18 in
<b>7</b>	318 mm	12.52 in	318 mm	12.52 in
<b>8</b>	383 mm	15.07 in	383 mm	15.07 in
<b>9</b>	976 mm	38.42 in	1176 mm	46.29 in
<b>10</b>	988 mm	38.89 in	1188 mm	46.77 in
<b>11</b>	1142 mm	44.96 in	1342 mm	52.83 in
<b>12</b>	68 mm	2.67 in	68 mm	2.67 in