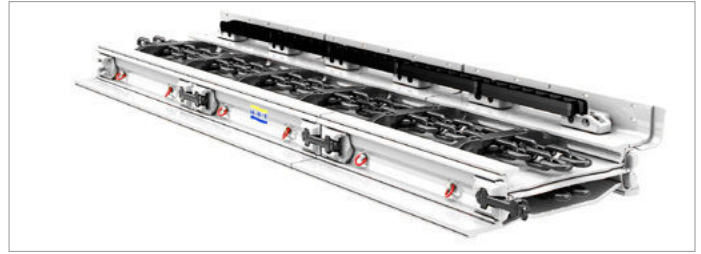


PF6

Face Conveyor Line Pan

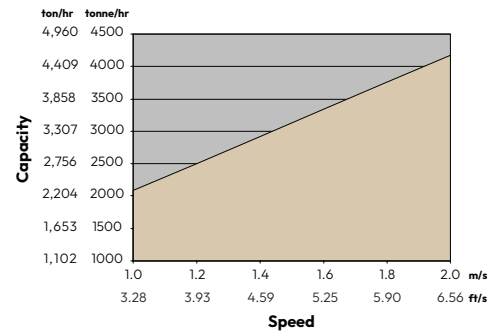


TECHNICAL DATA

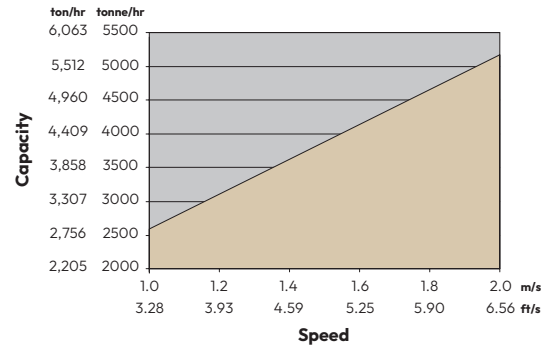
	Units	
Line Pan Width		
PF6/1042	1042 mm	41.02 in
PF6/1142	1142 mm	44.96 in
PF6/1242	1242 mm	48.90 in
PF6/1342	1342 mm	52.83 in
Flight Bar Width		
PF6/1042	888 mm	34.96 in
PF6/1142	988 mm	38.89 in
PF6/1242	1088 mm	42.83 in
PF6/1342	1188 mm	46.77 in
Deck Plate Thickness	30 plus 25 mm	1.18 plus 0.98 in
Profile Height	350 mm	13.77 in
Bottom Plate Thickness	30 mm	1.18 in
Dogbone Breaking Strength	4500 kN	505.82 tonf
Dogbone Housing FoS	1.5 times	
Shear Strength	> 6000 kN	> 674.42 tonf
Vertical Articulation	up to $\pm 6^\circ$	
Horizontal Articulation	0.8°-1.2°	
Chain Strands	DKB 42×146	
	DKB 48×160/144	

Conveying Capacity		
PF6/1042	approx. 0.58 m ²	approx. 6.24 ft ²
PF6/1142	approx. 0.58 m ²	approx. 6.24 ft ²
PF6/1242	approx. 0.72 m ²	approx. 7.75 ft ²
PF6/1342	approx. 0.85 m ²	approx. 9.15 ft ²

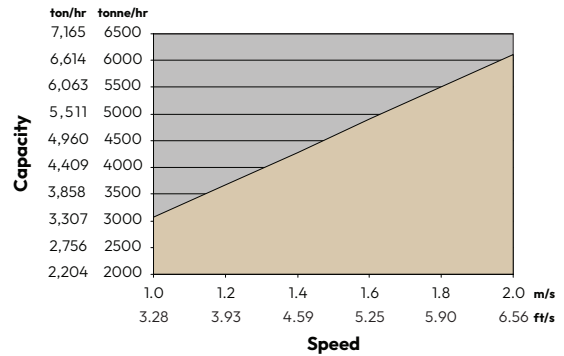
PF6/1142



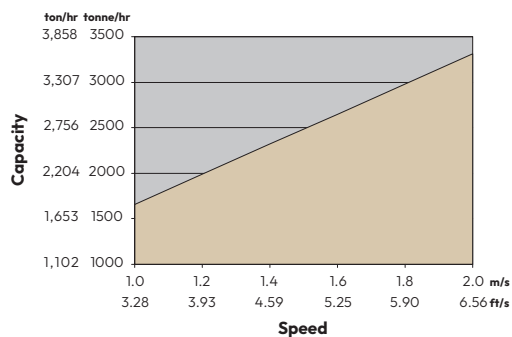
PF6/1242



PF6/1342



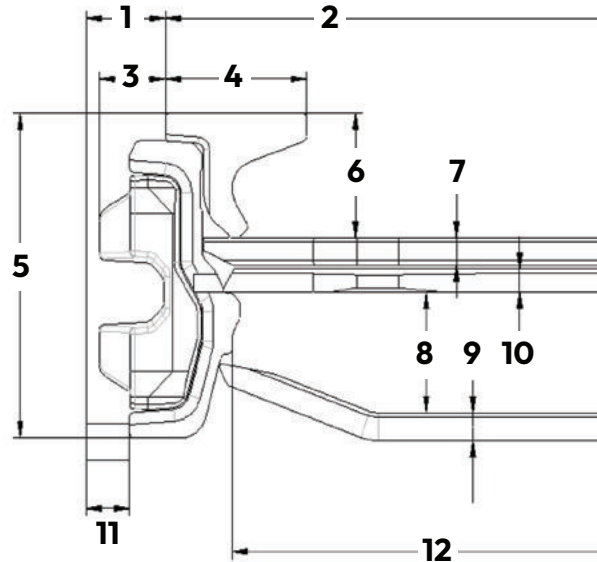
PF6/1042



PF6 Face Conveyor Line Pan

Dimensions

All dimensions are approximate.



	PF6/1042		PF6/1142		PF6/1242		PF6/1342	
1	92 mm	3.62 in	92 mm	3.62 in	92 mm	3.62 in	92 mm	3.62 in
2	1042 mm	41.02 in	1142 mm	44.96 in	1242 mm	48.90 in	1342 mm	52.83 in
3	77 mm	3.03 in	77 mm	3.03 in	77 mm	3.03 in	77 mm	3.03 in
4	164 mm	6.45 in	164 mm	6.45 in	164 mm	6.45 in	164 mm	6.45 in
5	350 mm	13.77 in	350 mm	13.77 in	350 mm	13.77 in	350 mm	13.77 in
6	134 mm	5.27 in	134 mm	5.27 in	134 mm	5.27 in	134 mm	5.27 in
7	30 mm	1.18 in	30 mm	1.18 in	30 mm	1.18 in	30 mm	1.18 in
8	130 mm	5.11 in	130 mm	5.11 in	130 mm	5.11 in	130 mm	5.11 in
9	30 mm	1.18 in	30 mm	1.18 in	30 mm	1.18 in	30 mm	1.18 in
10	25 mm	0.98 in	25 mm	0.98 in	25 mm	0.98 in	25 mm	0.98 in
11	50 mm	1.96 in	50 mm	1.96 in	50 mm	1.96 in	50 mm	1.96 in
12	888 mm	34.96 in	988 mm	38.89 in	1088 mm	42.83 in	1188 mm	46.77 in