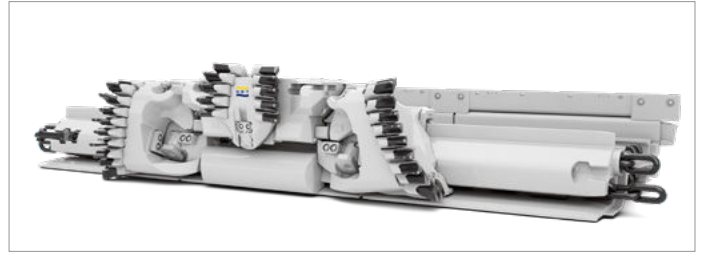


GH800B

Automated Plow System



TECHNICAL DATA

	Units	
Plow Length	2636 mm	8.65 ft
Plow Heights	750-1030 mm	2.64-3.38 ft
	1005-1285 mm	3.28-4.22 ft
	1270-1550 mm	4.17-5.09 ft
Plow Heights (with gobside support)	1535-1700 mm	5.04-5.58 ft
	1685-1965 mm	5.53-6.45 ft
Mechanical Height Adjustment	180-280 mm	0.59-0.92 ft
Maximum Cutting Depth	205 mm	0.67 ft
Weight		
	Single Plow	4385-5625 kg

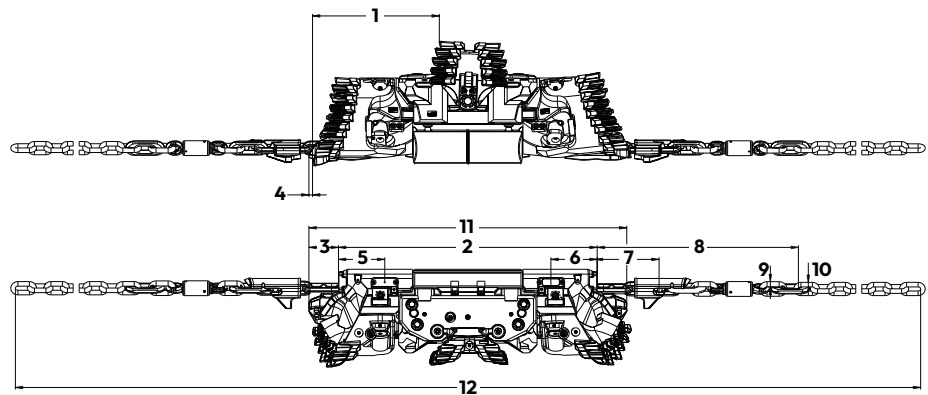
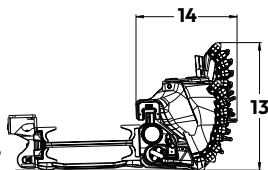
	Units		
Bottom Bit Positions	Position 1	+19 mm	+0.06 ft
	Position 2	-9 mm	-0.03 ft
	Position 3	-22 mm	-0.07 ft
	Position 4	-39 mm	-0.13 ft
Maximum Drive Power	2 × 400 kW	2 × 536 hp	
Coal Hardness	Soft-hard coal		
Maximum Seam Inclination	60°		
Maximum Plow Speed	3.0 m/sec	600 ft/min	

Dimensions

All dimensions are approximate.

Stageless Height Adjustment

- Adjustable Range 280 mm (0.92 ft)
- 10 Revolutions = 25 mm (0.08 ft) Pass



Plow Body Setup Option 1

1	1051 mm	3.54 ft	8	1671 mm	5.48 ft
2	2146 mm	7.04 ft	9	42 mm	0.14 ft
3	245 mm	0.8 ft	10	38 mm	0.24 ft
4	30 mm	0.1 ft	11	2636 mm	8.65 ft
5	384 mm	1.26 ft	12	14 529 mm	47.67 ft
6	384 mm	1.26 ft	13	1030 mm	3.38 ft
7	515 mm	1.69 ft	14	816 mm	2.68 ft

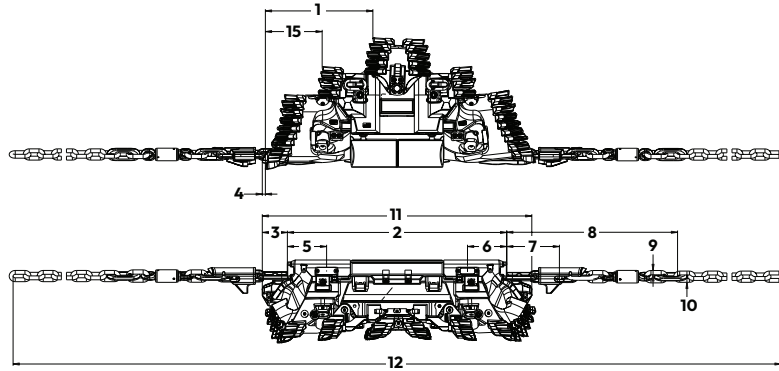
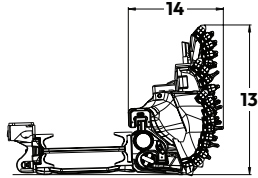
GH800B Automated Plow System

Dimensions

All dimensions are approximate.

Stageless Height Adjustment

- Adjustable Range 280 mm (0.92 ft)
- 10 Revolutions = 25 mm (0.08 ft) Pass



Plow Body Setup Option 2

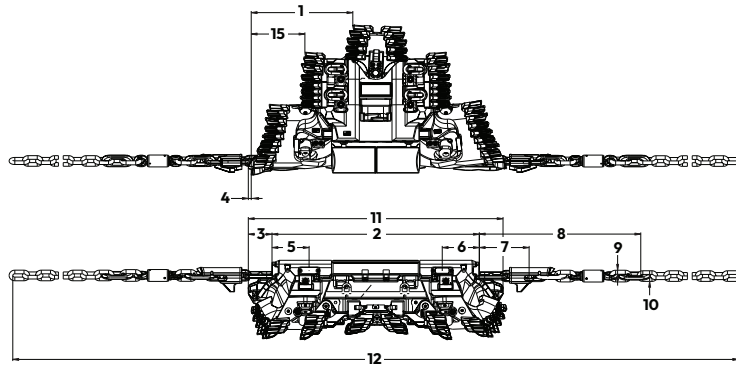
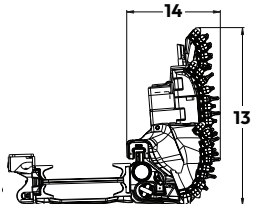
1	1051 mm	3.54 ft	9	42 mm	0.14 ft
2	2146 mm	7.04 ft	10	38 mm	0.24 ft
3	245 mm	0.8 ft	11	2636 mm	8.65 ft
4	30 mm	0.1 ft	12	14 529 mm	47.67 ft
5	384 mm	1.26 ft	13	1285 mm	4.22 ft
6	384 mm	1.26 ft	14	816 mm	2.68 ft
7	515 mm	1.69 ft	15	555 mm	1.82 ft
8	1671 mm	5.48 ft			

Dimensions

All dimensions are approximate.

Stageless Height Adjustment

- Adjustable Range 280 mm (0.92 ft)
- 10 Revolutions = 25 mm (0.08 ft) Pass



Plow Body Setup Option 3

1	1051 mm	3.54 ft	9	42 mm	0.14 ft
2	2146 mm	7.04 ft	10	38 mm	0.24 ft
3	245 mm	0.8 ft	11	2636 mm	8.65 ft
4	30 mm	0.1 ft	12	14 529 mm	47.67 ft
5	384 mm	1.26 ft	13	1550 mm	5.09 ft
6	384 mm	1.26 ft	14	816 mm	2.68 ft
7	515 mm	1.69 ft	15	555 mm	1.82 ft
8	1671 mm	5.48 ft			

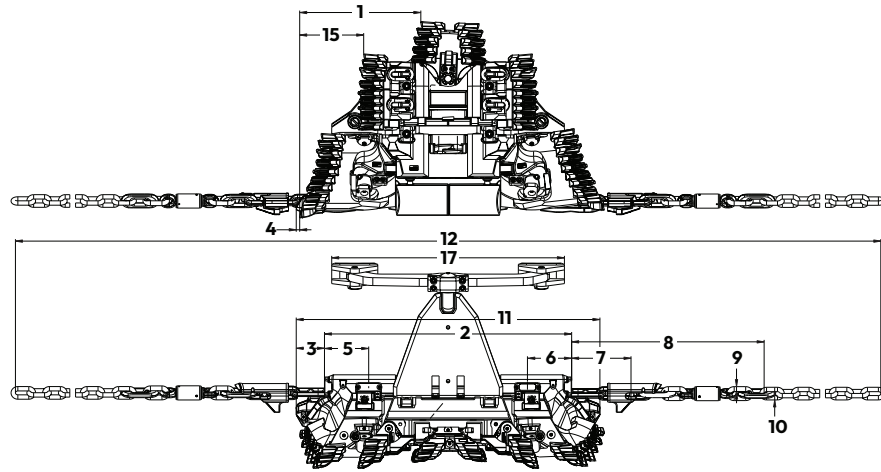
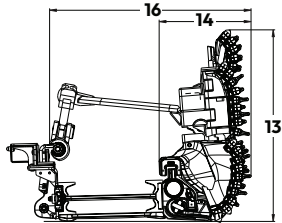
GH800B Automated Plow System

Dimensions

All dimensions are approximate.

Stageless Height Adjustment

- Adjustable Range 180 mm (0.59 ft)
- 10 Revolutions = 25 mm (0.08 ft) Pass



Plow Body Setup Option 4

1	1051 mm	3.54 ft	10	38 mm	0.24 ft
2	2146 mm	7.04 ft	11	2636 mm	8.65 ft
3	245 mm	0.8 ft	12	14 529 mm	47.67 ft
4	30 mm	0.1 ft	13	1965 mm	6.45 ft
5	384 mm	1.26 ft	14	816 mm	2.68 ft
6	384 mm	1.26 ft	15	555 mm	1.82 ft
7	515 mm	1.69 ft	16	1788 mm	5.88 ft
8	1671 mm	5.48 ft	17	2020 mm	6.62 ft
9	42 mm	0.14 ft			

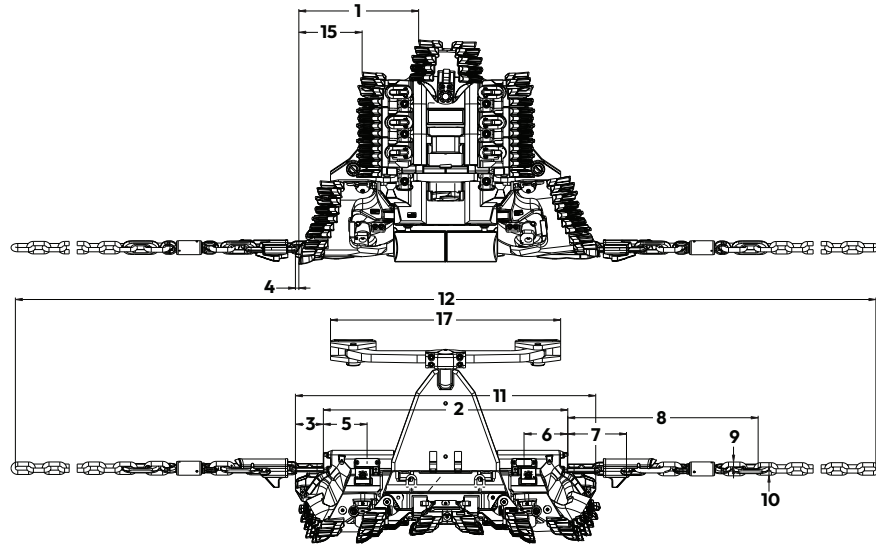
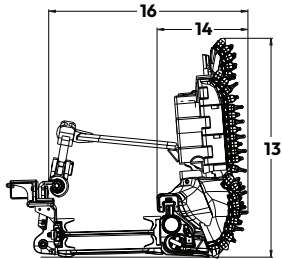
GH800B Automated Plow System

Dimensions

All dimensions are approximate.

Stageless Height Adjustment

- Adjustable Range 280 mm (0.92 ft)
- 10 Revolutions = 25 mm (0.08 ft) Pass



Plow Body Setup Option 5

1	1051 mm	3.54 ft	10	38 mm	0.24 ft
2	2146 mm	7.04 ft	11	2636 mm	8.65 ft
3	245 mm	0.8 ft	12	14 529 mm	47.67 ft
4	30 mm	0.1 ft	13	1965 mm	6.45 ft
5	384 mm	1.26 ft	14	816 mm	2.68 ft
6	384 mm	1.26 ft	15	555 mm	1.82 ft
7	515 mm	1.69 ft	16	1788 mm	5.88 ft
8	1671 mm	5.48 ft	17	2020 mm	6.62 ft
9	42 mm	0.14 ft			

For more complete information on HBT products and services, visit us on the web at hbt-group.com.

© 2023 HBT GmbH. All rights reserved. Technical changes reserved. All information and illustrations are non-binding.

